



Product designation	Power contactor		
Product type designation	BFK150		
Contact characteristics			
Number of poles	Nr.	3	
Rated insulation voltage U_i IEC/EN	V	690	
Rated impulse withstand voltage U_{imp}	kV	8	
Operational frequency	min	Hz	25
	max	Hz	400
IEC Conventional free air thermal current I_{th}	A	165	
Rated operational power AC-6b (T=40°C)	230V	kvar	50
	400V	kvar	100
	440...480V	kvar	115
	690V	kvar	150
Short-time allowable current for 10s (IEC/EN60947-1)	A	1200	
Protection fuse	gG (IEC)	A	160
	Making capacity (RMS value)	A	1500
Breaking capacity at voltage	440V	A	1200
	500V	A	1025
	690V	A	905
	Resistance per pole (average value)	m Ω	0.45
Power dissipation per pole (average value)	I_{th}	W	12
	Tightening torque for terminals	min	Nm
	max	Nm	7
	min	lbin	4.4
	max	lbin	5.2
Tightening torque for coil terminal	min	Nm	0.8
	max	Nm	1
	min	lbin	0.59
	max	lbin	0.74
Max number of wires simultaneously connectable	Nr.	2	
Conductor section	AWG/Kcmil	max	2/0
	Flexible w/o lug conductor section	min	mm ²
max		mm ²	70
Flexible c/w lug conductor section	min	mm ²	1.5

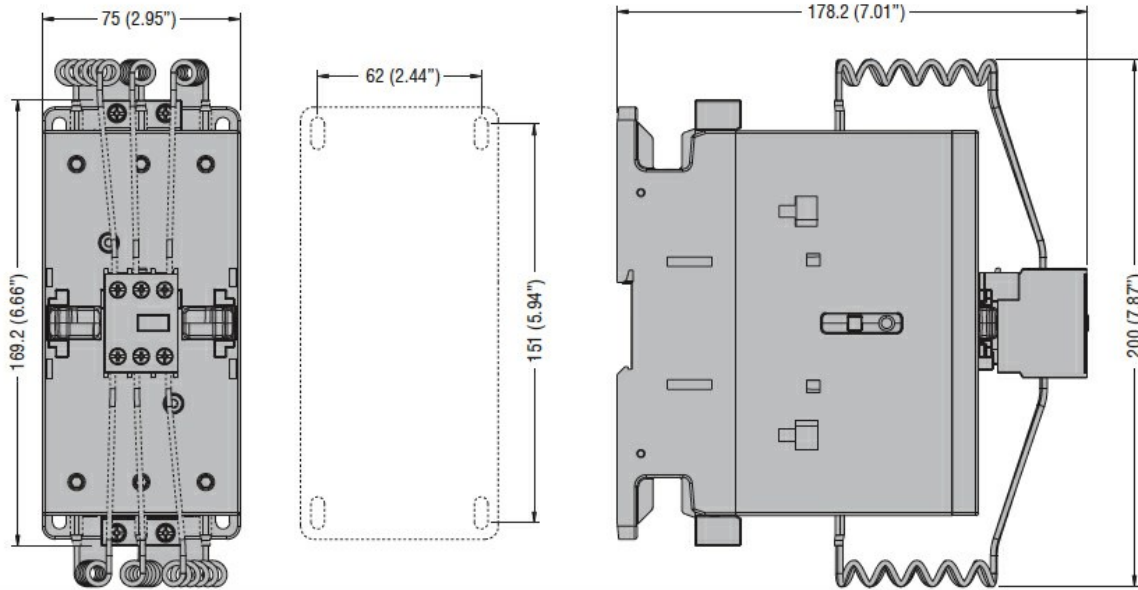
		max	mm ²	70
Power terminal protection according to IEC/EN 60529				IP20 front
Mechanical features				
Operating position		normal allowable		Vertical plan ±30°
Fixing				Screw / DIN rail 35mm
Weight			g	2095
Conductor section	AWG/kcmil conductor section	max		2/0
Operations				
Mechanical life			cycles	15000000
Electrical life			cycles	800000
Safety related data				
Performance level B10d according to EN/ISO 13489-1		rated load mechanical load	cycles cycles	400000 15000000
EMC compatibility				yes
AC coil operating				
Rated AC voltage at 60Hz			V	230
AC operating voltage	of 60Hz coil powered at 60Hz			
	pick-up	min	%Us	80
		max	%Us	110
	drop-out	min	%Us	20
		max	%Us	55
AC average coil consumption at 20°C	of 60Hz coil powered at 60Hz	in-rush holding	VA VA	300 20
			W	6.5
Max cycles frequency				
Mechanical operation			cycles/h	1500
Operating times				
Average time for Us control	in AC			
	Closing NO	min	ms	16
		max	ms	32
	Opening NO	min	ms	9
		max	ms	24
UL technical data				
General USE	Contactor	AC current	A	165
Ambient conditions				
Temperature	Operating temperature			

Storage temperature	min	°C	-50
	max	°C	70
Max altitude	min	°C	-60
	max	°C	80
		m	3000

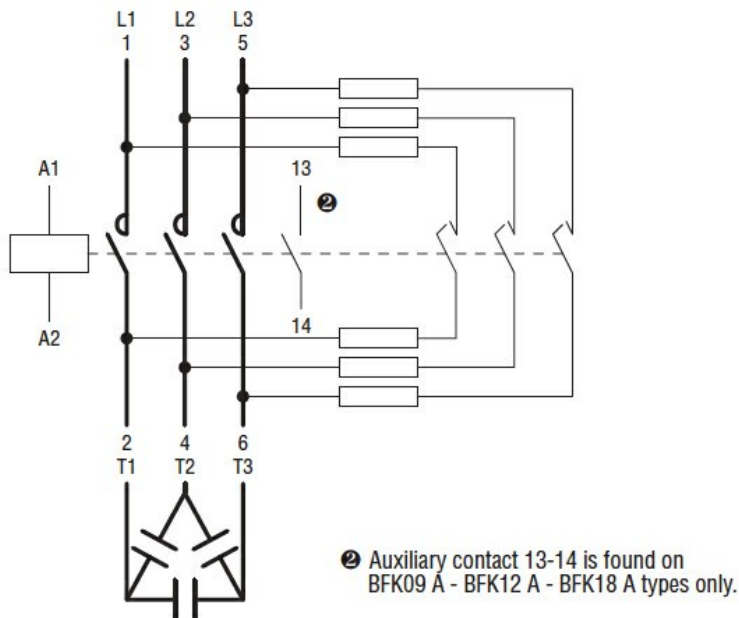
Resistance & Protection

Pollution degree 3

Dimensions



Wiring diagrams



Certifications and compliance

Compliance

CSA C22.2 n° 60947-1
CSA C22.2 n° 60947-4-1
IEC/EN/BS 60947-1
IEC/EN/BS 60947-4-1
UL 60947-1
UL 60947-4-1

Certificates

CCC

cULus

ETIM classification

ETIM 8.0

EC001079 -
Capacitor
contactor